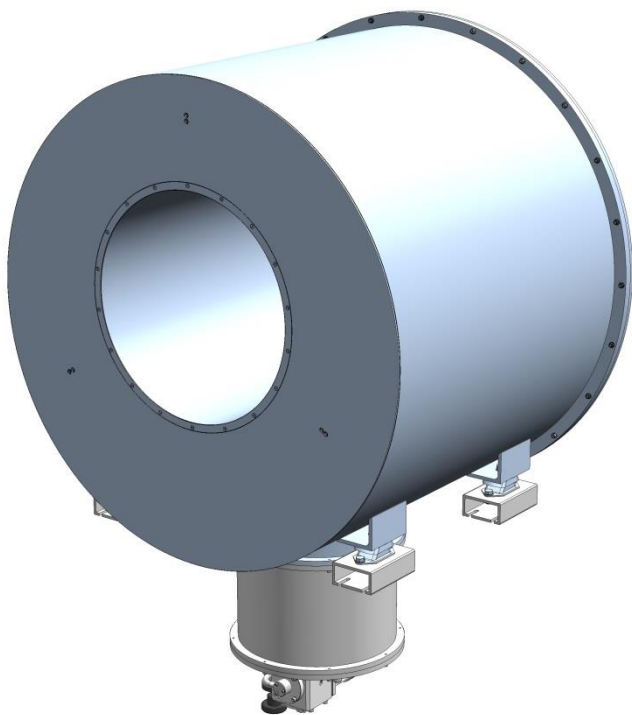


Cryogen-free 3.0 T/500/AS horizontal bore magnet

Scientific Magnetics designs and manufactures superconducting magnet and cryogenic systems for academic and commercial research, particularly in the areas of fundamental physics, materials development and magnetic resonance. This 3 tesla horizontal bore magnet systems has high field stability, does not require any liquid cryogenes and can be installed virtually anywhere with electrical power.



Features:

- 3 Tesla central field
- 500 mm clear bore
- No expensive liquid cryogenes
- No quench ducting required
- Safer operation
- Annual maintenance
- Easier site planning
- Cheaper installation
- Safe during power outages

**when compared to a typical 5.0T pre-clinical MRI system requiring cryogenes*

Scientific Magnetics can design and prototype bespoke superconducting magnets and accompanying magnetic flux shields for niche MRI and industrial applications. Please contact us to discuss your requirements and obtain a quotation.